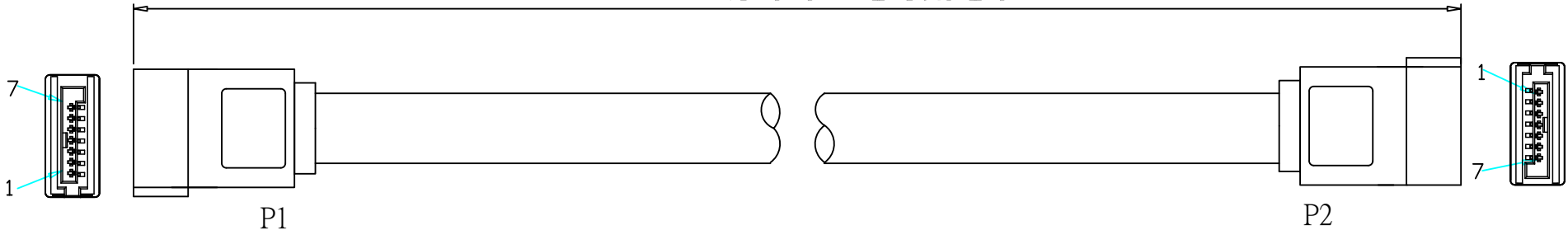


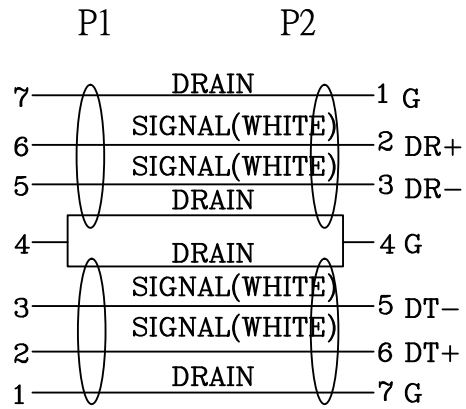
ECN NO.	DESCRIPTION	DATE	REV.	APPROVED

See Table



Length
CS6467-08l - 8 inches
CS6467-18l - 18 inches

PINOUT:



4	OUTMOLDING:PVC 45P BLACK	
3	PE INSIDE MOLDING	
2	SATA-7P PH1 .27MM	2
1	SATA 26# 8c (4/0.404TC+4/0.32TC) OD 7.2X1.7MM RED	1
NO.	MATERIAL & SPECIFICATION	Q'TY

CUSTOMER		APPROVAL	DWG NO.	REV.
PROJECTION	TOLERANCE	CHECKAGE	SATA-7P F/F	A/O
	.0___±0.40 .00___±0.30	CHECKAGE		
UNITS	ANGLE	DRAWER	ITEM	SHEET
MODEL	.0___±2°	SCALE	CUSTOMER USE	1/1
YXY	Cpu Stuff - 949-713-9070 - cpustuff.com			